

PARTS MANUAL

EXPLORE THE PARTS



X **EXPLORER**

RANGER

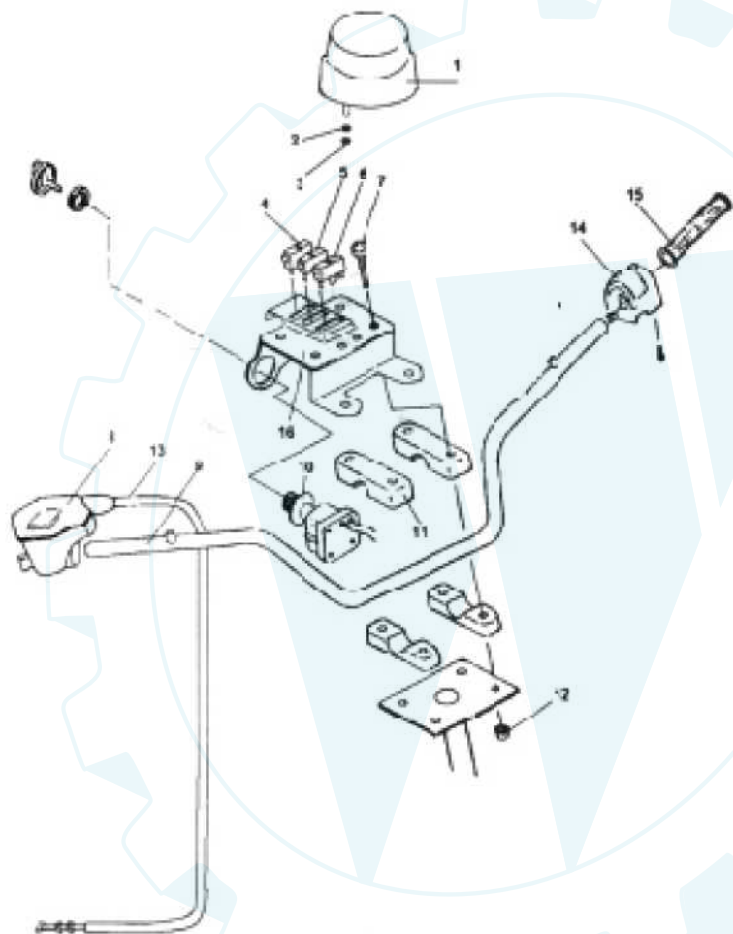
SPARE PART INDEX

1.	HANDLEBAR	17.1	BRAKING SYSTEM
2.	FUEL TANK	18	BUMPER & RACK
3.	REAR FENDERS	19	CYLINDER
4.	FRONT BODY & FRAME	20	CRANKSHAFT COMP
5.	A- ARM	21	VALVE
5.1	A- ARM	22	CAMSHAFT COMP
6.	SWING ARM ASSY	23	WATER PUMP
7.	FRONT WHEEL	24	RADIATOR
8.	SHOK ABSORBER REAR	24.1	RADIATOR
9.	REAR WHEEL	25	OIL PUMP
10	REAR GEAR BOX	26	AIR CLEANER
11	TRANSMISSION	27	CARBURATOR
11.1	TRANSMISSION	28	EXHAUST
11.2	TRANSMISSION	29	CRANKCASE
12	SUPPORT BRACKET	30	LEFT & RIGHT COVER
13	SHIFT ROD	31	STARTER
13.1	SHIFT ROD	32	CLUTCH
14	SHOCK ABSORBER FRONT	32.1	CLUTCH
15	STEERING COLUMN	33	GENERATOR
16	ELECTRICAL SYSTEM	34	STARTER MOTOR
17	BRAKING SYSTEM	35	ENGINE

EXPLORER



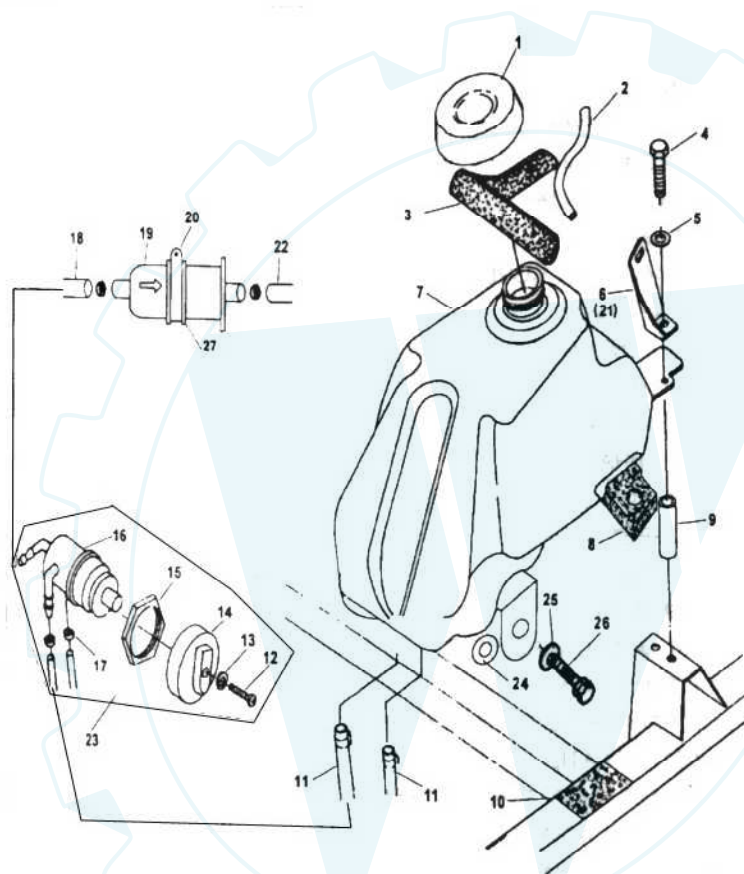
1 HANDLEBAR (FOR EUROPE)



REF.NO.	PART NO.	DESCRIPTION	Q'TY	REMARK
1	30101	SPEEDOMETER	1	
2	10006	WASHER 6	2	
3	10004	NUT M6	2	
4	30104	WARNING LIGHT HIGH TEMP/DIRECTION	1	
5	30105	WARNING LIGHT NEUTRAL/REVERSE	1	
6	30106	WARNING LIGHT FAN/HIGH BEAM	1	
7	10003	BOLT M6x35	4	
8	20109	THROTTLE CONTROL	1	
9	30109	HANDLEBAR	1	
10	30110	IGNITION SWITCH WITH KEY	1	
11	20112	HANDLEBAR CLAMP	4	
12	10004	NUT M6	4	
13	20114	THROTTLE CABLE	1	
14	30114	SWITCH ASSY	1	
15	20116	GRIP	2	
16	30113	WARNING LIGHT BRACKET	1	



2 FUEL TANK (FOR EUROPE)



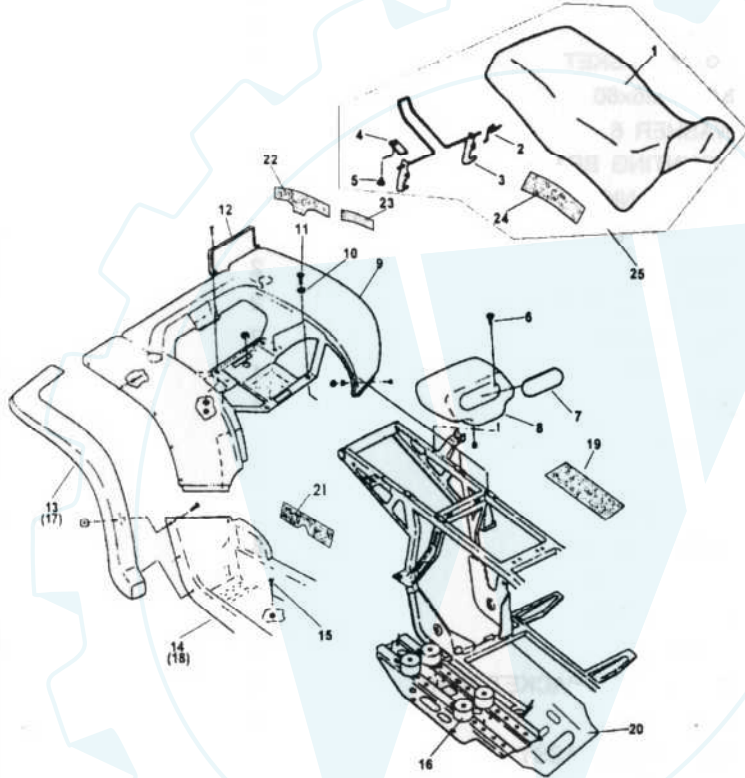
THERE ARE TWO FULL FITTINGS ON THE FUEL TANKS AND THE SHORTER ONE IS KEPT IN RESERVE.

REF.NO.	PART NO.	DESCRIPTION	Q'TY	REMARK
1	30201	FUEL CAP	1	
2	20202	VENT TUBE	1	
3	20203	FOAM GASKET	1	
4	10005	BOLT M6x60	2	
5	10006	WASHER 6	2	
6	20207	MOUNTING BRACKET LEFT	1	
7	30207	FUEL TANK	1	
8	20209	FOAM PAD	1	
9	20210	SPACER	2	
10	20211	MOUNTING PAD	2	
11	20212	FUEL HOSE	2	
12	10007	SCREW M4	1	
13	10071	WASHER 4	1	
14	20215	FUEL CONTROL KNOB	1	
15	20216	NUT	1	
16	20217	FUEL VALVE	1	
17	20218	HOSE CLAMP	8	
18	20219	FUEL LINE 2	1	
19	20220	FUEL FITTER	1	
20	20221	CLAMP	1	
21	20222	MOUNTING BRACKET RIGHT	1	
22	20223	FUEL LINE	1	
23	30223	FUEL VALVE ASSY	1	
24	30224	RUBBER GASKET	2	
25	30225	SPACER	2	
26	10010	BOLT M6x15	2	
27	30227	FUEL FITTER PAD	1	





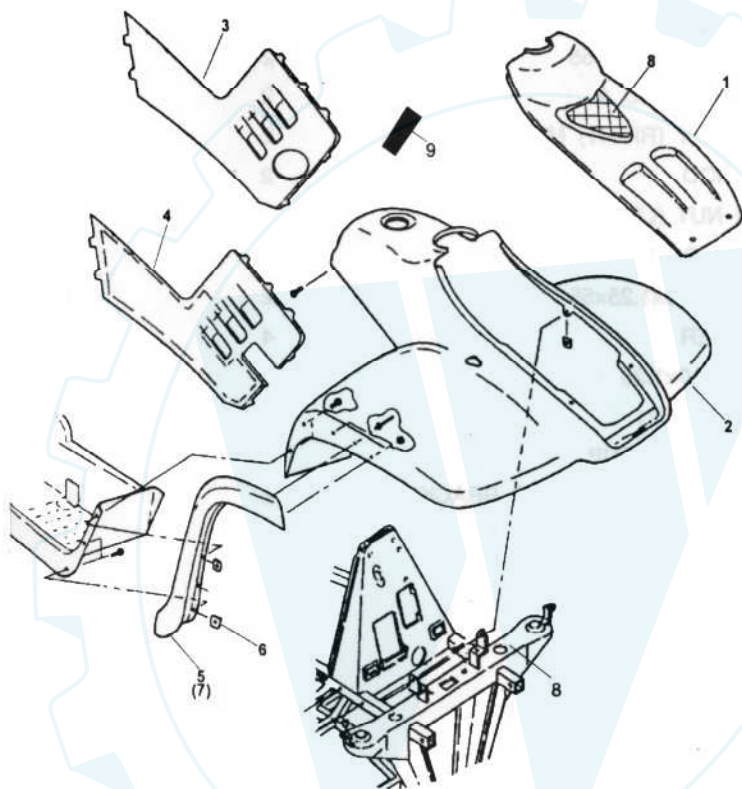
3 REAR FENDERS



REF.NO.	PART NO.	DESCRIPTION	Q'TY	REMARK
1	20301	SEAT	1	
2	20302	SPRING	1	
3	20303	LATCH ASSEMBLY	1	
4	20304	RETAINER CLIP	2	
5	10009	SCREW ST4.8x16	4	
6	10010	BOLT M6x15	2	
7	20307	STORAGE BOX COVER	1	
8	20308	STORAGE BOX	1	
9	20309	REAR FENDERS	1	SEE I. ILLUSTRATION OF ORDERING PARTS
10	10011	WASHER 6	4	
11	10010	BOLT M6x15	42	
12	20312	LATCH BRACKET	1	
13	20313	REAR MUD GUARD RIGHT	1	
14	20314	FOOTREST RIGHT	1	
15	20315	BOLT M6x20	14	
16	20316	RUBBER PAD	14	
17	20317	REAR MUD GUARD LEFT	1	
18	20318	FOOTREST LEFT	1	
19	20319	MOUNTING PAD OF BATTERY	3	
20	20320	PLASTIC PLATE	1	
21	20321	FOOTREST RIGHT ADIABATIC PELLICLE	1	
22	20322	REAR MUD ADIABATIC PELLICLE A	2	
23	20323	REAR MUD ADIABATIC PELLICLE B	2	
24	20324	SEAT ADIABATIC PELLICLE	2	
25	20325	SEAT ASSY	1	



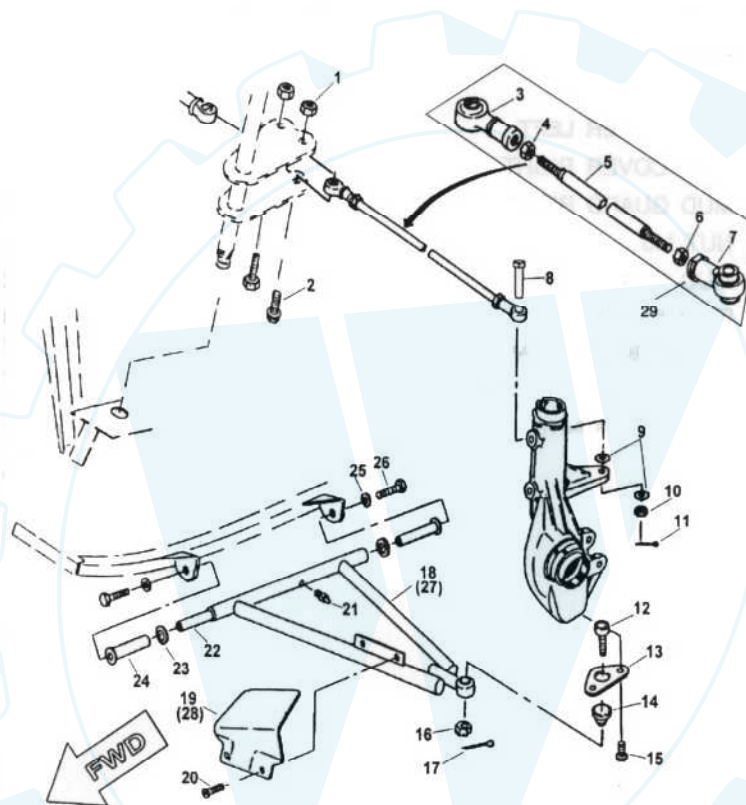
4 FRONT BODY&FRAME



REF.NO.	PART NO.	DESCRIPTION	Q'TY	REMARK
1	20401	FRONT COVER	1	
2	20402	FRONT BODY	1	SEE ILLUSTRATION OF ORDERING PARTS
3	20403	SIDE COVER LEFT	1	
4	20404	SIDE COVER RIGHT	1	
5	20405	MUD GUARD RIGHT	1	
6	10004	NUT M6	40	
7	20407	MUD GUARD LEFT	1	
8	20408	FRAME COMP.	1	
9	20409	FRONT BODY FOAM	1	
10	20410	SMALL FRONT COVER	1	
11	10009	SCREW ST4.8x16	2	



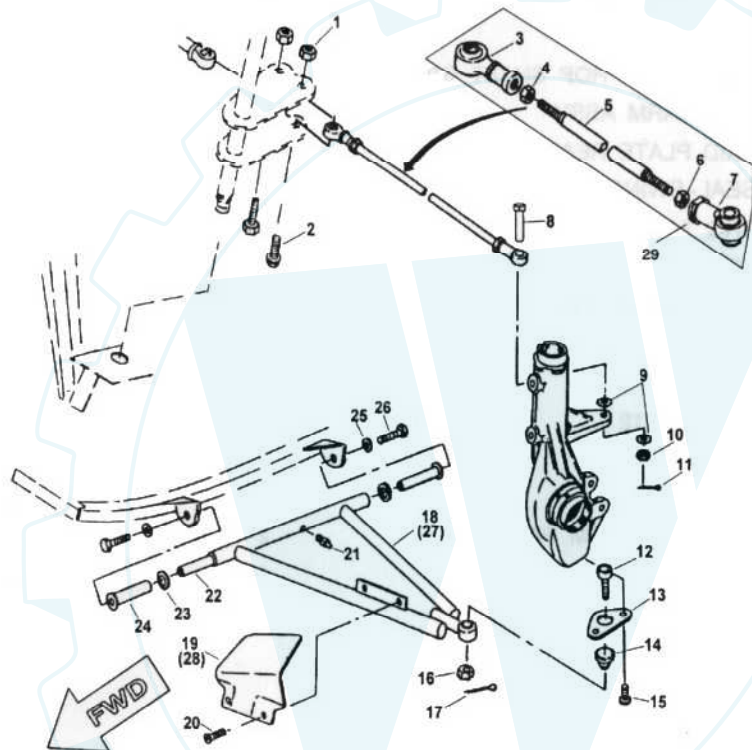
5 A-ARM



REF.NO.	PART NO.	DESCRIPTION	Q'TY	REMARK
1	10015	NUT M10x1.25	2	
2	10016	BOLT M10x1.25x55	2	
3	20503	TIE ROD END A	2	
4	10017	JAM NUT (RIGHT) M12	2	
5	20505	TIE ROD	2	
6	20506	JAM NUT (LEFT)	2	
7	20507	TIE ROD END B	2	
8	10018	BOLT M10x1.25x55	2	
9	10019	WASHER	4	
10	10020	NUT M10x1.25	2	
11	10021	COTTER PIN	2	
12	20512	BALL JOINT CUP	2	
13	20513	BALL JOINT MOUNTING BRACKET	2	
14	20514	BALL JOINT CUP	2	
15	10022	BOLT M6x12	4	
16	10023	NUT M10	2	
17	10021	COTTER PIN 2.5x20	2	
18	20518	A-ARM LEFT	1	
19	20519	A-ARM SHIELD LEFT	1	
20	10001	NUT M5x12	4	
21	10026	GREASE FITTING	2	
22	20522	A-ARM PIVOT SHAFT	2	
23	20523	SPACER	4	
24	20524	BUSHING	4	
25	10027	WASHER 10	4	
26	10028	BOLT M10x25	4	



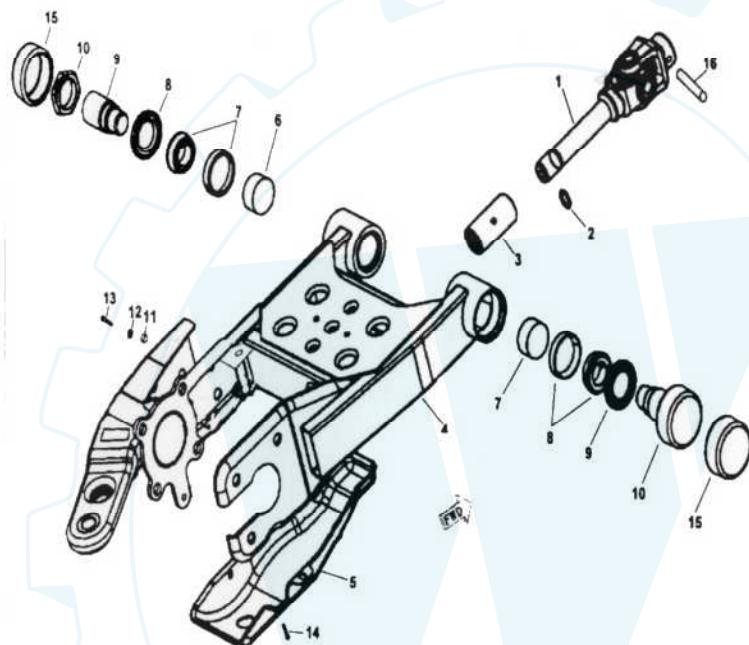
5 A-ARM



REF.NO.	PART NO.	DESCRIPTION	Q'TY	REMARK
27	20627	A-ARM RIGHT	1	
28	20628	A-ARM SHIELD RIGHT	1	
29	20629	TIE ROD ASSY	2	



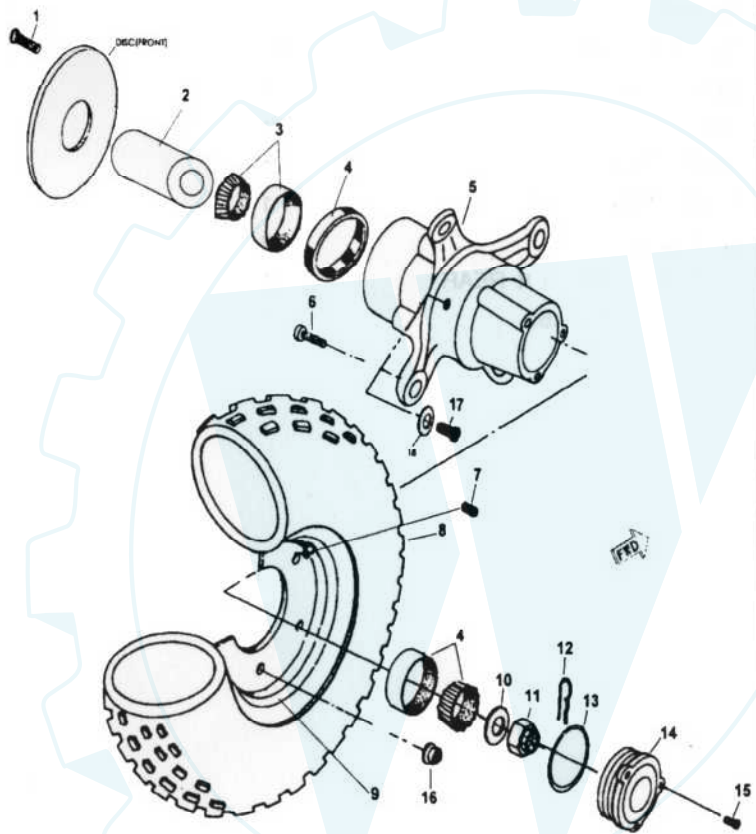
6 SWINGARM ASSY



REF.NO.	PART NO.	DESCRIPTION	Q'TY	REMARK
1	20701	REAR PROPSHAFT ASSY	1	
2	10029	O-RING	1	
3	20703	COUPLING-PROP SHAFT GREASED	1	
4	30704	SWINGARM ASSY	1	
5	20705	SKID PLATE REAR	1	
6	20706	SEAL-SWINGARM PIVOT	2	
7	10030	BRG TAPER ROLL	2	
8	20708	SEAL	2	
9	20709	SWING ARM PIVOT	1	
10	20710	THREADED PIVOT	1	
11	10031	NUT M12	3	
12	10032	WASHER 12	3	
13	10033	BOLT M12x35	3	
14	10034	BOLT M8x12	3	
15	20715	CAP SWINGARM PIVOT	2	
16	20716	ROLL PIN	1	



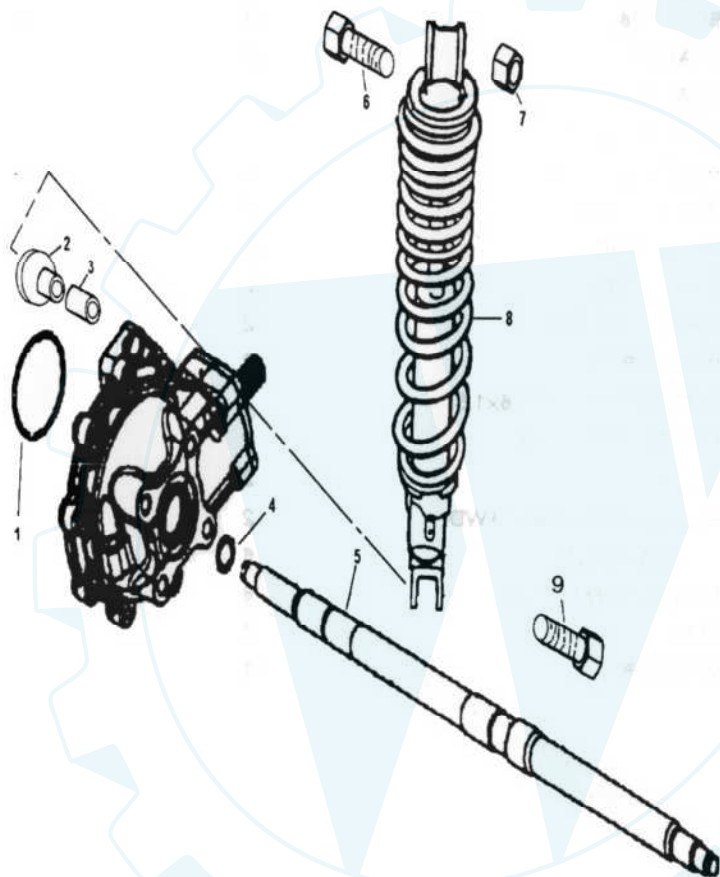
7 WHEEL FRONT



REF.NO.	PART NO.	DESCRIPTION	Q'TY	REMARK
1	10035	BOLT M8x20	8	
2	20802	SPACER	2	
3	10030	BEARING	4	
4	20804	SEAL SLEEVE	2	
5	20805	HUB ASSY SHRT	2	
6	20806	WHEEL STUD	8	
7	20807	PLUG PIPE	2	
8	30808	TIRE FRONT	2	
9	20809	WHEEL FRONT	2	
10	10037	WASHER 16	2	
11	20811	SLOTTED NUT M16x1.5	2	
12	10038	COTTER PIN 4x28	2	
13	10039	O-RING	2	
14	20814	HUB CAP 2-LOBE AWD	2	
15	10040	SCREW M5x16	6	
16	10015	LUG NUT M10x1.25	8	
17	20817	LUG	1	
18	20818	WASHER	1	



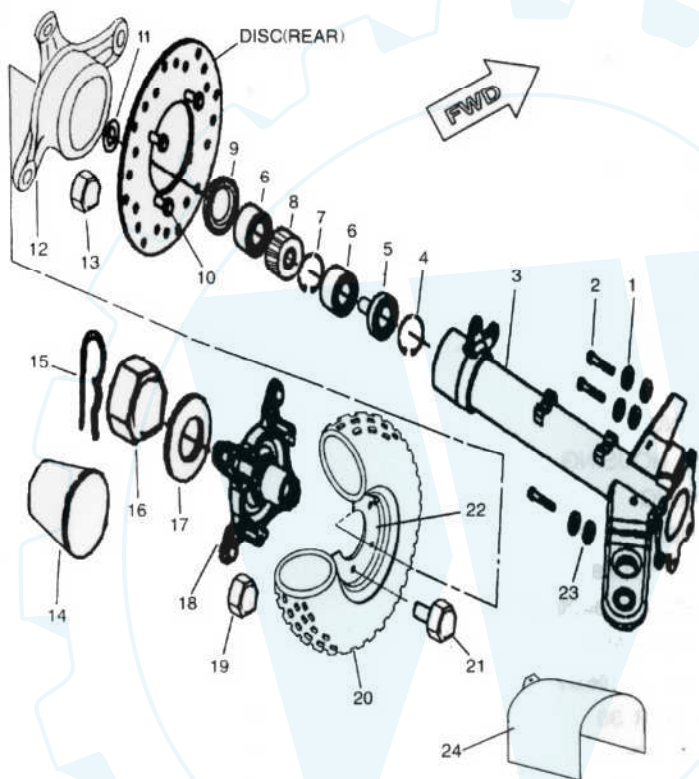
8 SHOCK ABSORBER REAR



REF.NO.	PART NO.	DESCRIPTION	Q'TY	REMARK
1	20901	O-RING	1	
2	20902	CUSHION PAD	2	
3	20903	SPACER-BEARING	1	
4	10042	O-RING	1	
5	20905	REAR AXLE	1	
6	20906	BOLT M10x1.25x57	1	
7	10015	NUT M10x1.25	2	
8	20908	SHOCK ABSORBER REAR	1	
9	20909	BOLT M10x1.25x57	1	



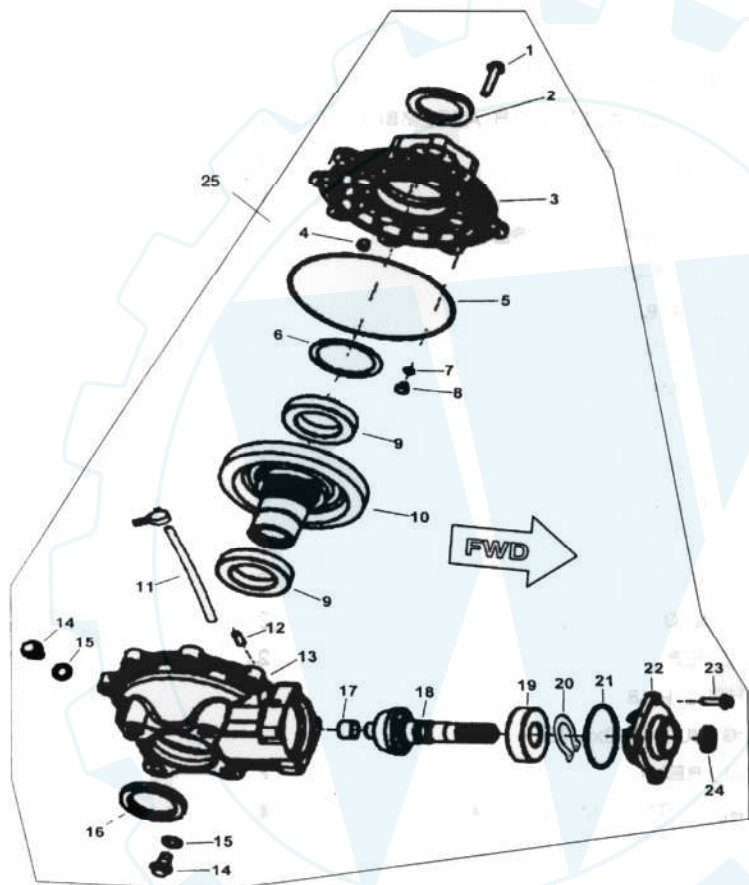
9 WHEEL REAR



REF.NO.	PART NO.	DESCRIPTION	Q'TY	REMARK
1	10032	WASHER 12	8	
2	10045	BOLT M12x30	8	
3	21003	AXLE TUBE AND HITCH ASSEMBLY	1	
4	21004	RING RETAINER INT	1	
5	21005	SPACER	1	
6	10046	BEARING BALL DBL SEAL	2	
7	10047	RING RETAINER INT	1	
8	31008	SPACER-BEARING	1	
9	21009	SEAL REAR AXLE	2	
10	10048	BOLTS M10x1.25x20	3	
11	10029	O-RING	1	
12	21012	HUB BRAKE DISC MACH	1	
13	10050	NUT M10x1.25	3	
14	21014	AXLE CAP	2	
15	10051	COTTER PIN	2	
16	10052	NUT SLOTTED M20x2	2	
17	21017	WASHER	2	
18	21018	WHEEL HUB	2	
19	21019	LUG NUT M12x1.25	2	
20	31020	TIRE REAR	2	
21	10053	WHEEL STUD M12x1.25x45	8	
22	21022	WHEEL REAR	2	
23	10054	WASHER 12	8	
24	31024	BRAKE HOSE COVER	1	



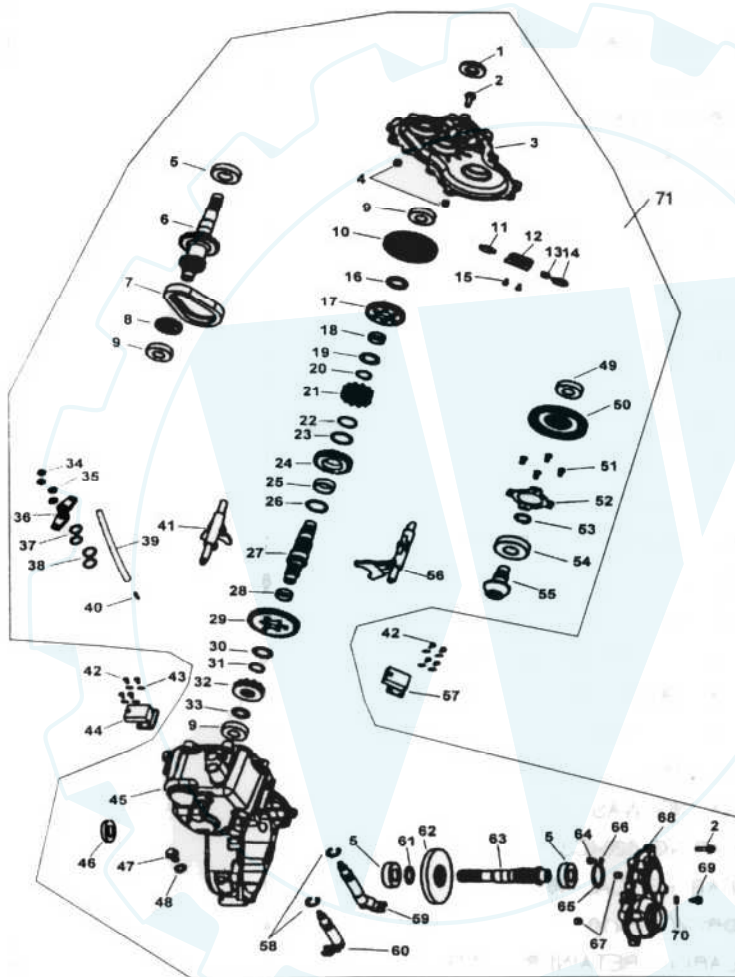
10 REAR GEAR-BOX



REF.NO.	PART NO.	DESCRIPTION	Q'TY	REMARK
1	10055	BOLT M8x45	2	
2	21102	SEAL 50x70x8	1	
3	21103	OUTPUT COVER	1	
4	21104	DOWEL PIN	1	
5	21105	O-RING 176x2.65	1	
6	21106	SHIM	1	
7	21107	SHIM	1	
8	21108	THRUST BUTTON	1	
9	10056	BEARING 110	2	
10	21110	RING GEAR	1	
11	21111	VENT	1	
12	21112	BEARING	1	
13	21113	DRIVE HOUSING	1	
14	21114	OIL PLUG	2	
15	21115	WASHER	2	
16	21116	SEAL 50x70x8	1	
17	10057	BUSHING P23x20x15	1	
18	21118	PINION SHAFT	1	
19	10058	BEARING 6306ST	1	
20	21120	RETAINER 30	1	
21	21121	O-RING 79x4	1	
22	21122	INPUT COVER	1	
23	10059	BOLTS M8x28	10	
24	21124	SEAL 25x35x5	1	
25	21125	REAR GEARBOX ASSY	1	



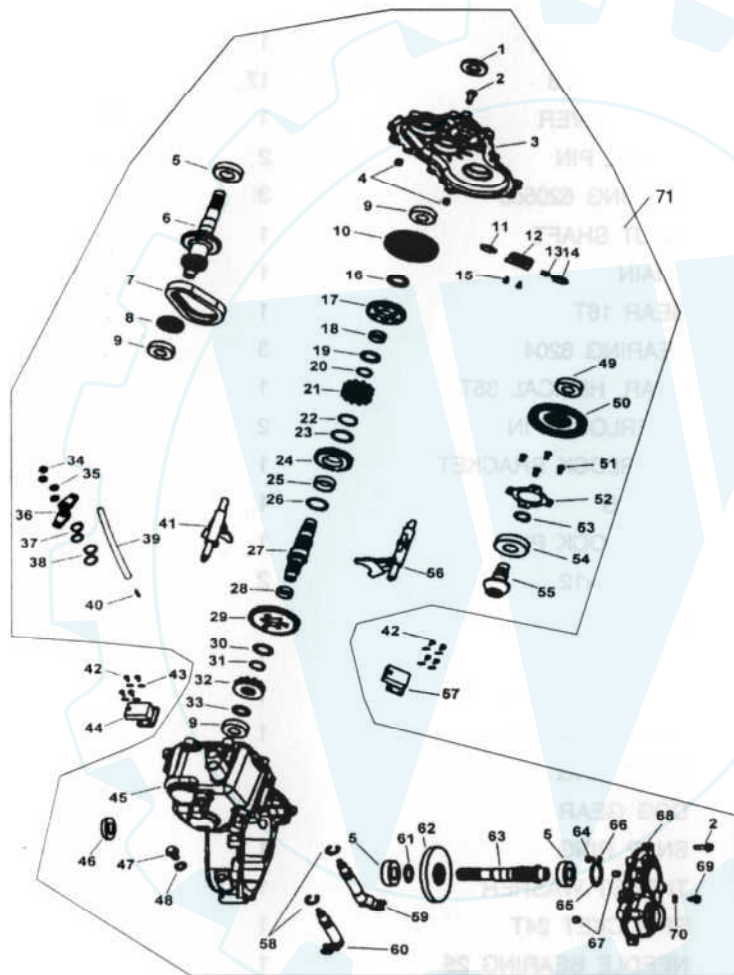
11 TRANSMISSION



REF.NO.	PART NO.	DESCRIPTION	Q'TY	REMARK
1	21201	SEAL 25x47x8	1	
2	10060	BOLT M8x28	17	
3	21203	MAIN COVER	1	
4	21204	DOWEL PIN	2	
5	10061	BEARING 6205c3	3	
6	21206	INPUT SHAFT	1	
7	21207	CHAIN	1	
8	21208	GEAR 16T	1	
9	10062	BEARING 6204	3	
10	21210	GEAR, HELICAL 35T	1	
11	21211	INTERLOCK PIN	2	
12	21212	INTERLOCK BRACKET	1	
13	21213	SPRING	1	
14	21214	INTERLOCK PIN	1	
15	10001	NUT M5x12	2	
16	21216	SPACER	1	
17	21217	GEAR 31T	1	
18	21218	NEEDLE BEARING 25	1	
19	21219	THRUST WASHER	1	
20	10064	SNAP RING	1	
21	21221	DOG GEAR	1	
22	10065	SNAP RING	1	
23	21223	THRUST WASHER	1	
24	21224	SPROCKET 24T	1	
25	21225	NEEDLE BEARING 25	1	
26	21326	THRUST WASHER	1	
27	21327	SHAFT	1	



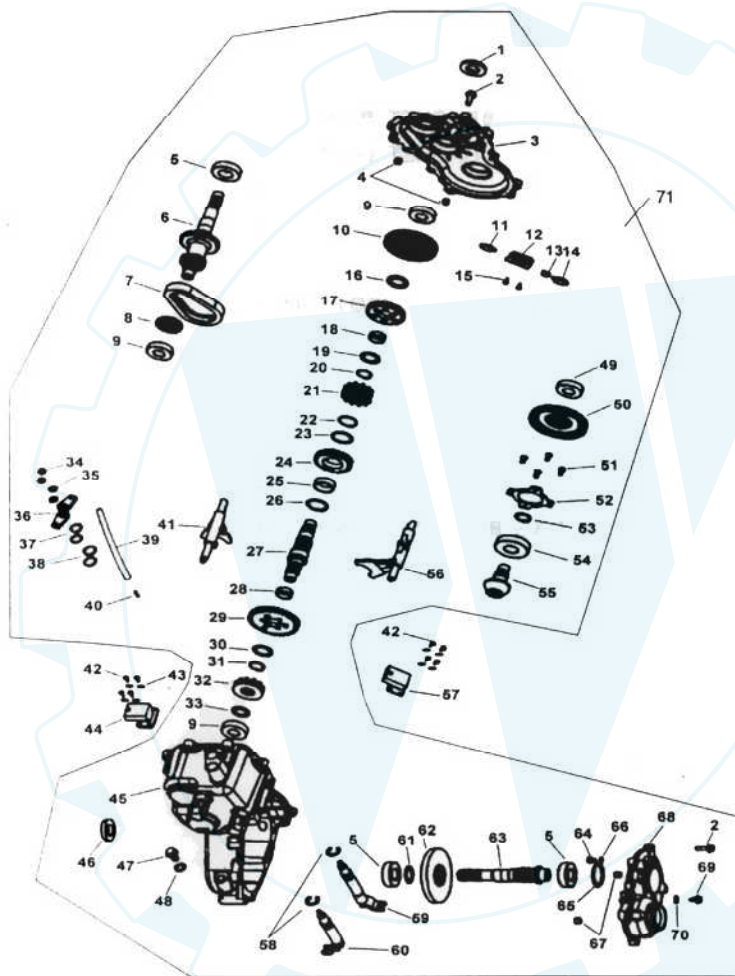
11 TRANSMISSION



REF.NO.	PART NO.	DESCRIPTION	Q'TY	REMARK
28	21328	NEEDLE BEARING 25	1	
29	21329	GEAR 35T	1	
30	21330	THRUST WASHER	1	
31	10064	SNAP RING	1	
32	21332	ENGAGEMENT	1	
33	21333	THRST WASHER	1	
34	10067	NUT M8	2	
35	10068	WASHER 8	2	
36	21336	BELLCRANK	2	
37	10069	SNAP RING	2	
38	21338	WASHER	2	
39	21339	VENT TUBE	1	
40	21340	VENT TUBE FITTING	1	
41	21341	SHIFT FORK HIGH/REVERSE	1	
42	10007	SCREW M4	8	
43	10071	WASHER 4	8	
44	21344	GEAR INDICATOR SWITCH	1	
45	21345	GEARCASE, RH	1	
46	21346	SEAL 25x47x8	1	
47	21347	BOLT M12	1	
48	21348	SEALING WASHER	1	
49	10063	BEARING 6204C3	1	
50	21350	GEAR HELICAL 46T	1	
51	10073	SCREW M6x10	4	
52	21351	BEARING RETAINER PLATE	1	
53	21453	SNAP RING	1	
54	10074	BEARING 6305ST	1	



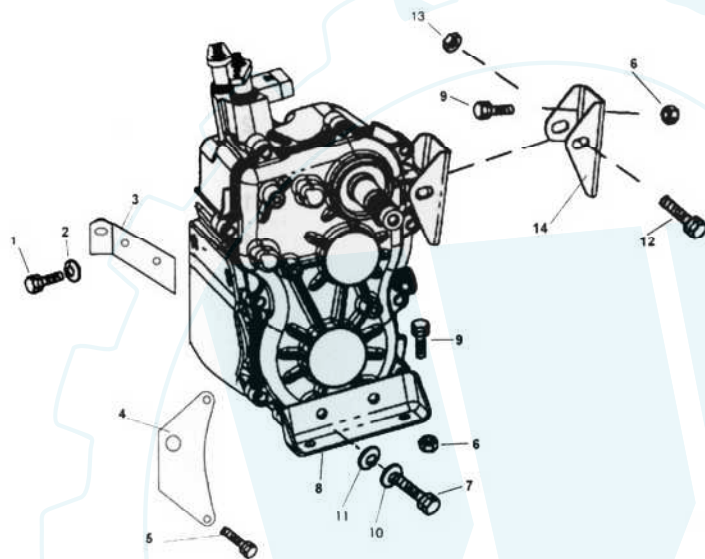
11 TRANSMISSION



REF.NO.	PART NO.	DESCRIPTION	Q'TY	REMARK
55	21455	PINION SHAFT 10T	1	
56	21456	SHIFT FORK LOW	1	
57	21457	GEAR INDICATOR SWITCH	1	
58	10075	SNAP RING	2	
59	21459	SHIFT LOW	1	
60	21460	SHIFT ROD HIGH/REVERSE	1	
61	21461	THRUST WASHER	1	
62	21462	GEAR	1	
63	21463	SHAFT REAR OUTPUT	1	
64	21464	THRUST BUTTON	1	
65	21465	SHIM 1	1	
66	21466	SHIM 2	1	
67	21467	DOWEL PIN	1	
68	21468	COVER	1	
69	21469	DRAIN SCREW	1	
70	21470	WASHER	1	
71	21471	TRANSMISSION ASSY	1	



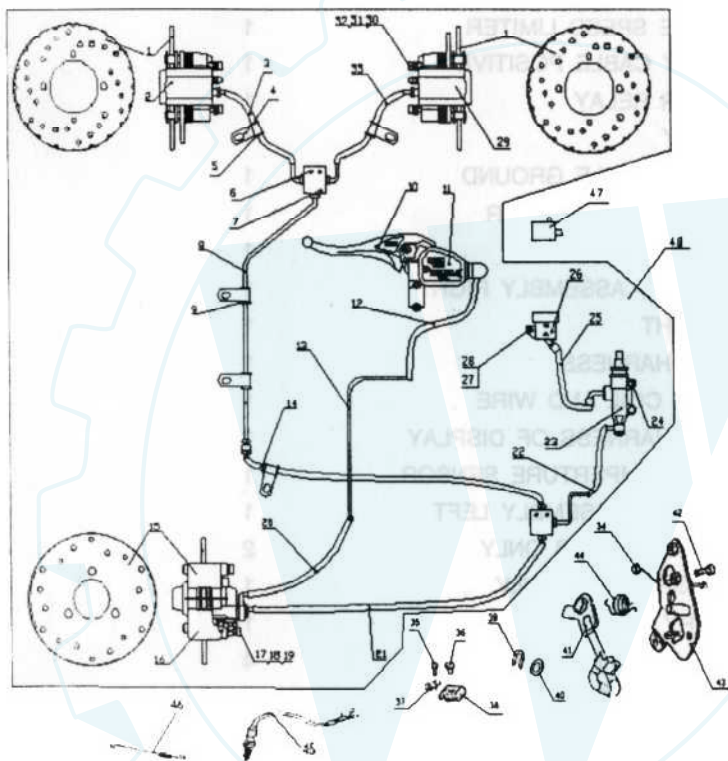
12 SUPPORT BRACKET



REF.NO.	PART NO.	DESCRIPTION	Q'TY	REMARK
1	10076	BOLT M12x20	2	
2	10054	WASHER 12	2	
3	21503	TRANSMISSION MOUNTING BRACKET RIGHT	1	
4	21504	TRANSMISSION MOUNTING BRACKET LEFT	1	
5	10078	BOLT M8x30	3	
6	10079	NUT M8	3	
7	10028	BOLT M10x25	2	
8	21508	TRANSMISSION MOUNTING BRACKET BOTTOM	1	
9	10081	BOLT M8x20	3	
10	10027	WASHER 10	2	
11	10019	WASHER	2	
12	10084	BOLT M10x1.25x70	1	
13	10015	NUT M10	1	
14	21514	TRANSMISSION MOUNTING BRACKET REAR	1	



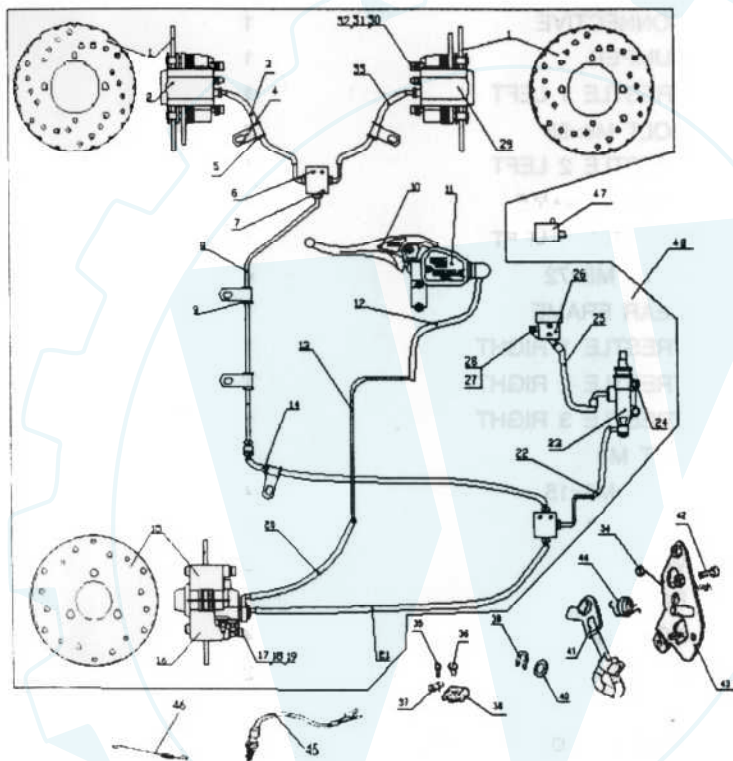
17 BRAKING SYSTEM (FOR EUROPE)



REF.NO.	PART NO.	DESCRIPTION	Q'TY	REMARK
1	22226	FRONT BRAKE DISC	2	
2	22114	BRAKE CALIPER LEFT	1	
3	32103	FRONT BRAKE HOSE 1	1	
4	32104	CLAMP	5	
5	32105	RUBBER TUBE 1	3	
6	10111	SCREW M5x15	4	
7	32107	BOUNDARY ON ALL SILDS	2	
8	32108	TUB DISKBRAKE FRONT	1	
9	32109	RUBBER TUBE 2	2	
10	22101	BRAKE LEVER W/MASTER CYLINDER	1	
11	32111	DONKEY PUMP	1	
12	32112	REAR BRAKE HOSE 1	1	
13	32113	TUB DISKBRAKE REAR	1	
14	32114	FRONT BRAKE HOSE	1	
15	32115	REAR BRAKE DISC	1	
16	22105	REAR BRAKE CALIPER	1	
17	10102	BOLT M10x1.25x83	2	
18	10015	NUT M10x1.25	2	
19	10019	WASHER 10	2	
20	32120	REAR BRAKE HOSE 2	1	
21	32121	REAR BRAKE HOSE 3	1	
22	32122	FOOT BRAKE HOSE	1	
23	32123	REAR BRAKE CYLINDER	1	
24	10110	BOLT M6x20	2	
25	32125	RESERVOIR HOSE	1	



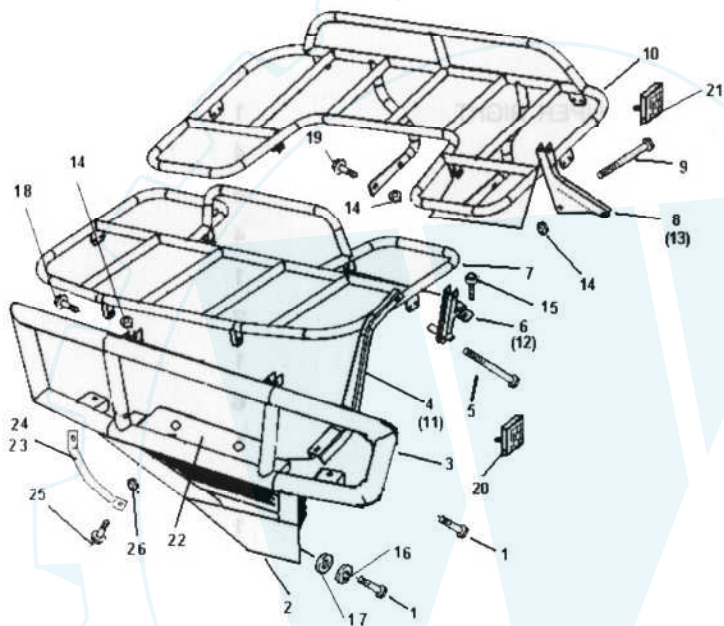
17 BRAKING SYSTEM (FOR EUROPE)



REF.NO.	PART NO.	DESCRIPTION	Q'TY	REMARK
26	22125	RESERVOIR	1	
27	10108	BOLT M5x12	1	
28	10109	NUT M5	1	
29	22227	BRAKE CALIPER RIGHT	1	
30	10105	BOLT M8x25	4	
31	10106	WASHER 8	4	
32	10068	WASHER 8	4	
33	32233	FRONT BRAKE HOSE 2	1	
34	10004	NUT M6	2	
35	10113	BOLT M5x8	1	
36	10113	BOLT M5x8	6	
37	22235	BRAKE LINE CLAMP SMALL	1	
38	22236	BRAKE LINE CLAMP LARGE	3	
39	10115	RETAINER	1	
40	22238	WASHER	1	
41	32241	BRAKE PEDAL	1	
42	10110	BOLT M6x20	3	
43	32243	FOOT BRAKE MOUNTING PLATE	1	
44	22242	RETURN SPRING	1	
45	32245	STORP SWITCH REAR	1	
46	32246	SPRING, STOP SWITCH	1	
47	22243	STORP SWITCH FRONT	1	
48	32248	BRAKING ASSY	1	



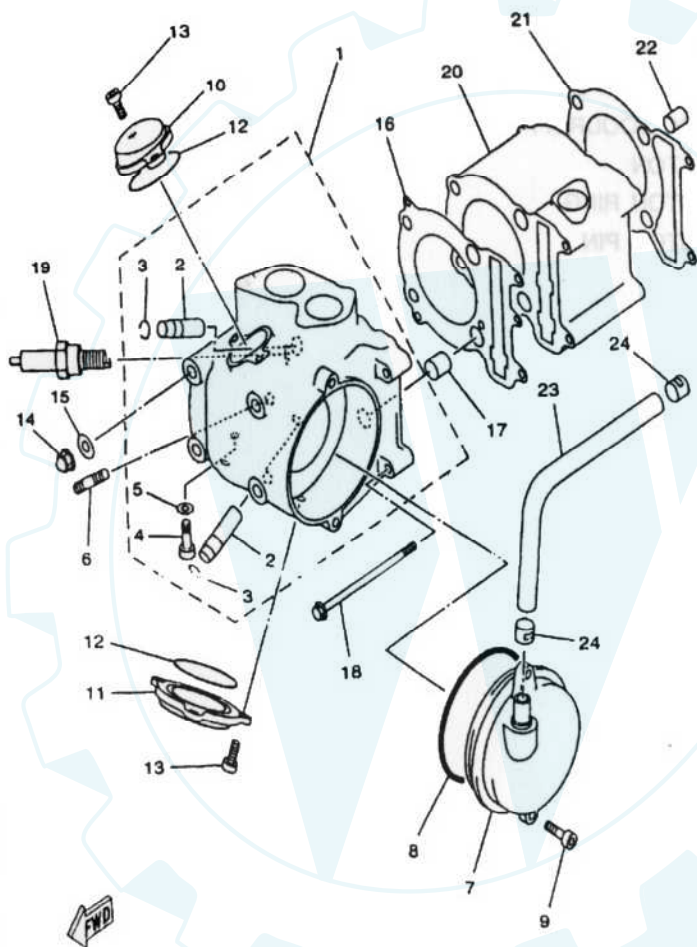
18 BUMPER & RACK (FOR EUROPE)



REF.NO.	PART NO.	DESCRIPTION	Q'TY	REMARK
1	10081	BOLT M8x20	8	
2	22302	CONNECTIVE	1	
3	32303	BUMPER	1	
4	22304	TRESTLE 1 LEFT	1	
5	10118	BOLT M8x95	2	
6	22306	TRESTLE 2 LEFT	1	
7	32307	FRONT FRAME	1	
8	22308	TRESTLE 3 LEFT	1	
9	10119	BOLT M8x72	4	
10	22310	REAR FRAME	1	
11	22311	TRESTLE 1 RIGHT	1	
12	22312	TRESTLE 2 RIGHT	1	
13	22313	TRESTLE 3 RIGHT	1	
14	10079	NUT M8	4	
15	10010	BOLT M6x15	4	
16	10106	WASHER	2	
17	10068	WASHER	2	
18	10124	BOLT M8x35	6	
19	10126	BOLT M8x45	4	
20	22322	FRONT REFLECTOR	2	
21	22323	REAR REFLECTOR	4	
22	22324	CONNECTION BRACKET	1	
23	22325	RIGHT PROTECT POLE	1	
24	22326	LEFT PROTECT POLE	1	
25	10141	BOLT M8x25	4	
26	10067	NUT M8	4	



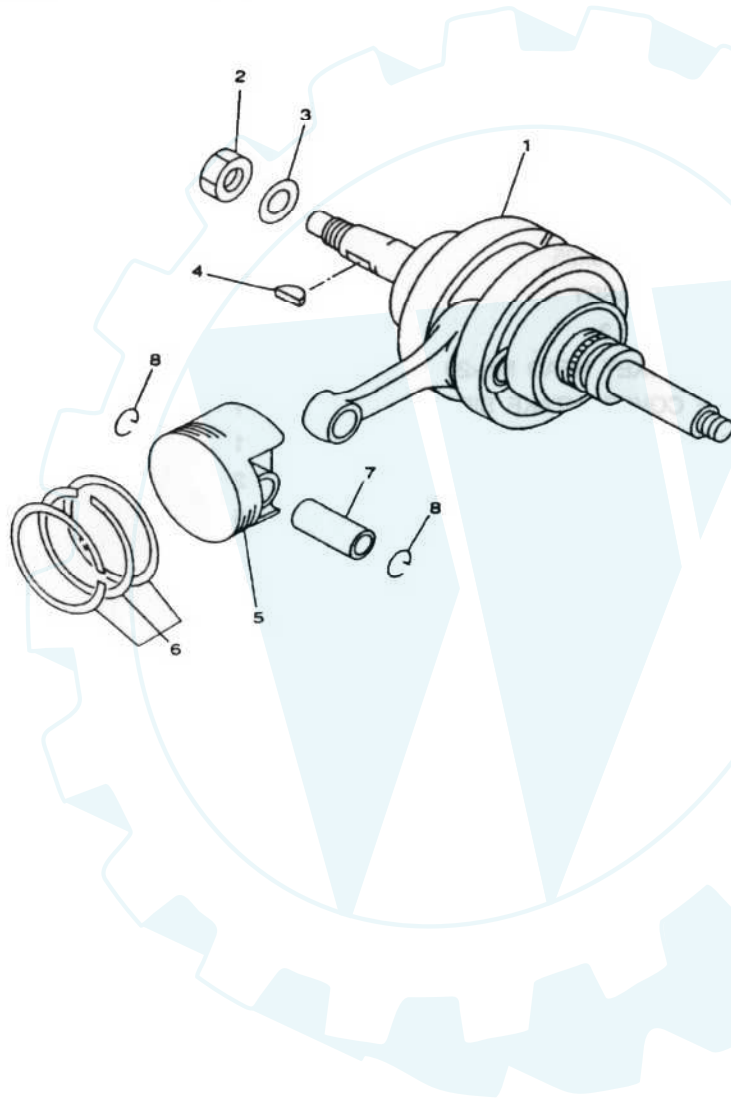
19 CYLINDER



REF.NO.	PART NO.	DESCRIPTION	Q'TY	REMARK
1	22401	CYLINDER HEAD ASSY	1	
2	22402	GUIDE INTAKE VALVE	2	
3	10112	CIRCLIP 12	2	
4	10128	SCREW HEXAHON M6x12	1	
5	22405	GASKET 6	1	
6	10014	BOLT STUD M8x25	2	
7	22407	BREATHER ASSY	1	
8	22408	O-RING 95x3.3	1	
9	10008	BOLT SOCKET HEAD M6x20	2	
10	22410	VALVE COVER INTAKE SIDE	1	
11	22411	VALVE COVER EXHAUST SIDE	1	
12	22412	O-RING 57.5x2.3	2	
13	10008	BOLT SOCKET HEAD M6x20	5	
14	22414	NUT CROWN M8	4	
15	22415	WASHER PLATE 8	4	
16	22416	GASKET CYLINDER HEAD 1	1	
17	22417	PIN DOWEL 14x16	2	
18	22418	BOLT FLANGE M6x120	2	
19	22419	PLUG SPARK (NGK DR8EA)	1	
20	22420	CYLINDER	1	
21	22421	GASKET CYLINDER	1	
22	22422	PIN DOWEL 10x14	2	
23	22423	PIPE BREATHER 1	1	
24	22424	CLIP 12MM	2	



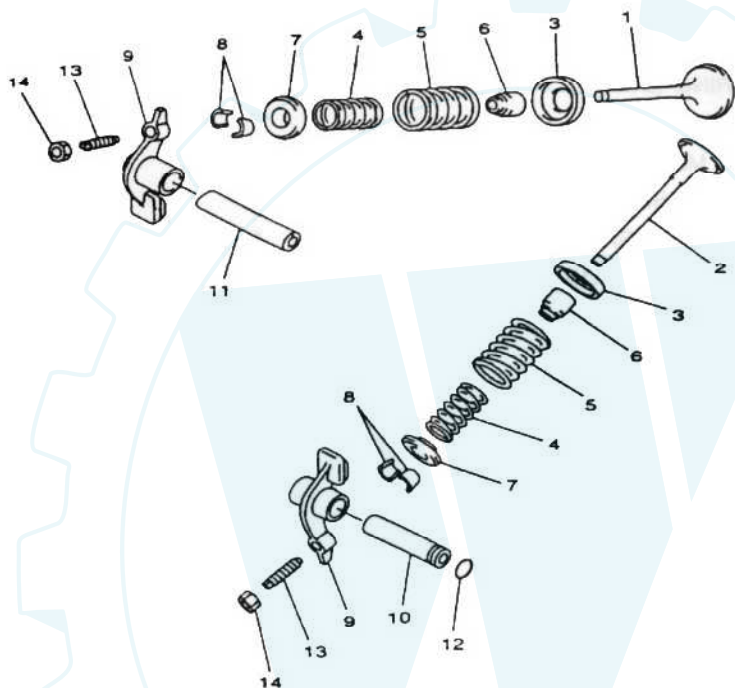
20 CRANKSHAFT COMP



REF.NO.	PART NO.	DESCRIPTION	Q'TY	REMARK
1	22501	CRANKSHAFT ASSY	1	
2	22502	NUT M16x1	1	
3	22503	WASHER PLATE 16	1	
4	22504	KEY WOODRUFF	1	
5	22505	PISTON	1	
6	22506	PISTON RING	1	
7	22507	PISTON PIN	1	
8	22508	CLIP	2	



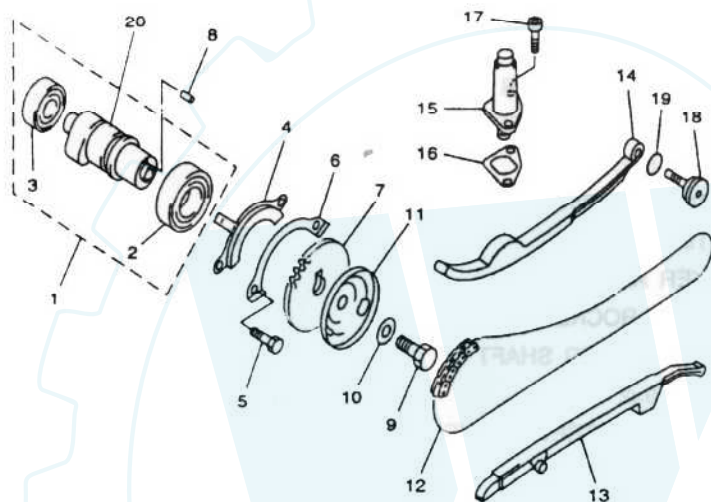
21 VALVE



REF.NO.	PART NO.	DESCRIPTION	Q'TY	REMARK
1	22601	INTAKE VALVE	1	
2	22602	EXHAUST VALVE	1	
3	22603	SEAT SPRING VALVE	2	
4	22604	SPRING VALVE INNER	2	
5	22605	SPRING VALVE OUTER	2	
6	22606	SEAL VALVE STEM	2	
7	22607	RETAINER SPRING VALVE	2	
8	22608	COTTER VALVE	4	
9	22609	ROCKER ARM VALVE	2	
10	22610	EXHAUST ROCKER SHAFT	1	
11	22611	INTAKE ROCKER SHAFT	1	
12	22612	O-RING 9x2	1	
13	22613	ADJUSTING SCREW VALVE	2	
14	22614	NUT M6x0.75	2	



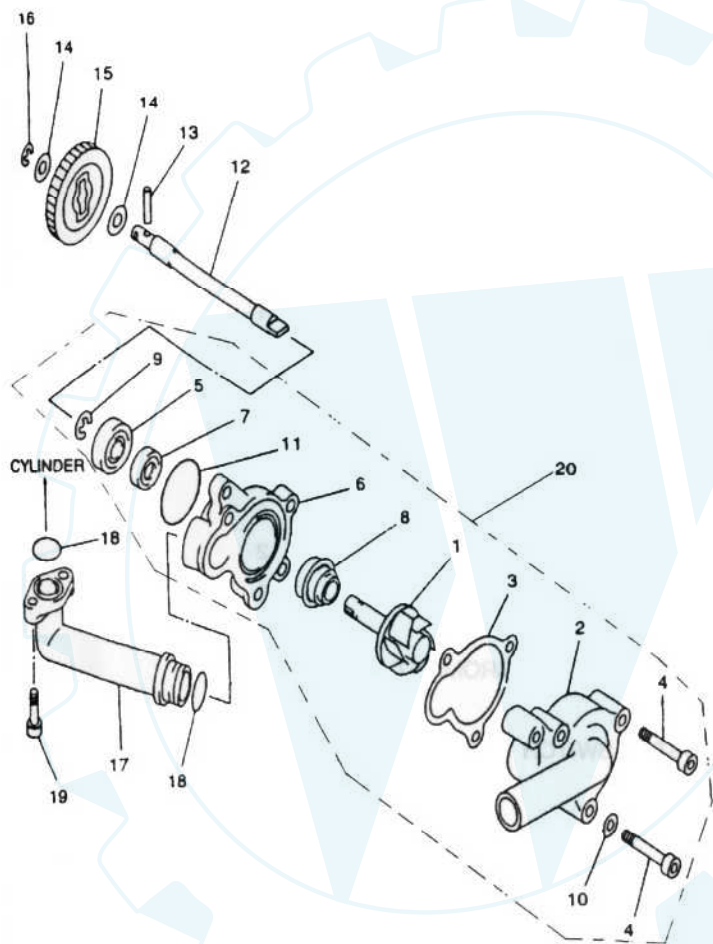
22 CAMSHAFT CHAIN



REF.NO.	PART NO.	DESCRIPTION	Q'TY	REMARK
1	22701	CAMSHAFT ASSY 1	1	
2	10012	BEARING	1	
3	10013	BEARING (B6202Z)	1	
4	22704	PLATE	1	
5	10128	BOLT M6x12	2	
6	22706	LOCK WASHER	1	
7	22707	CAM CHAIN SPROCKET	1	
8	10024	DOWEL PIN B4x10	1	
9	10025	BOLT M10x1.25x25	1	
10	22710	WASHER PLATE 10	1	
11	22711	BREATHER PLATE 2	1	
12	22712	CHAIN	1	
13	22713	GUIDE STOPPER 1	1	
14	22714	GUIDE STOPPER 2	1	
15	22715	CAM CHAIN TENSIONER ASSY	1	
16	22716	GASKET TENSIONER CASE	1	
17	10036	SOCKET HEAD BOLT M6x14	2	
18	22718	CHAIN TENSIONER PIVOT BOLT	1	
19	22719	O-RING 14.5x1.8	1	
20	22720	CAMSHAFT	1	



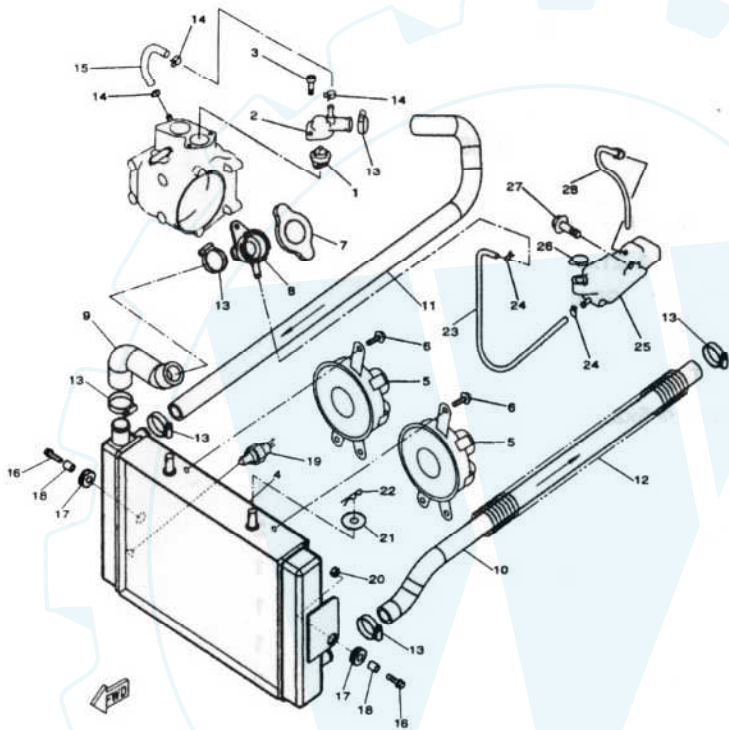
23 WATER PUMP



REF.NO.	PART NO.	DESCRIPTION	Q'TY	REMARK
1	22801	IMPELLER SHAFT ASSY	1	
2	22802	HOUSING COVER	1	
3	22803	GASKET HOUSING COVER 2	1	
4	10041	SOCKET HEAD BOLT M6x35	3	
5	10043	BEARING	1	
6	22806	WATER PUMP HOUSING	1	
7	22807	OIL SEAL 10x21x5	1	
8	22808	MECHANICAL SEAL	1	
9	10044	CIRCLIP 10	1	
10	22810	GASKET 6	1	
11	10049	O-RING 33.5x2.65	1	
12	22812	SHAFT	1	
13	10070	DOWEL PIN C3x22	1	
14	22814	WASHER PLATE 8	2	
15	22815	IMPELLER SHAFT GEAR	1	
16	10072	CIRCLIP 8	1	
17	22817	JOINT	1	
18	10082	O-RING 15.5x2.5	2	
19	10083	SOCKET HEAD BOLT M6x15	2	
20	22820	WATER PUMP ASSY	1	



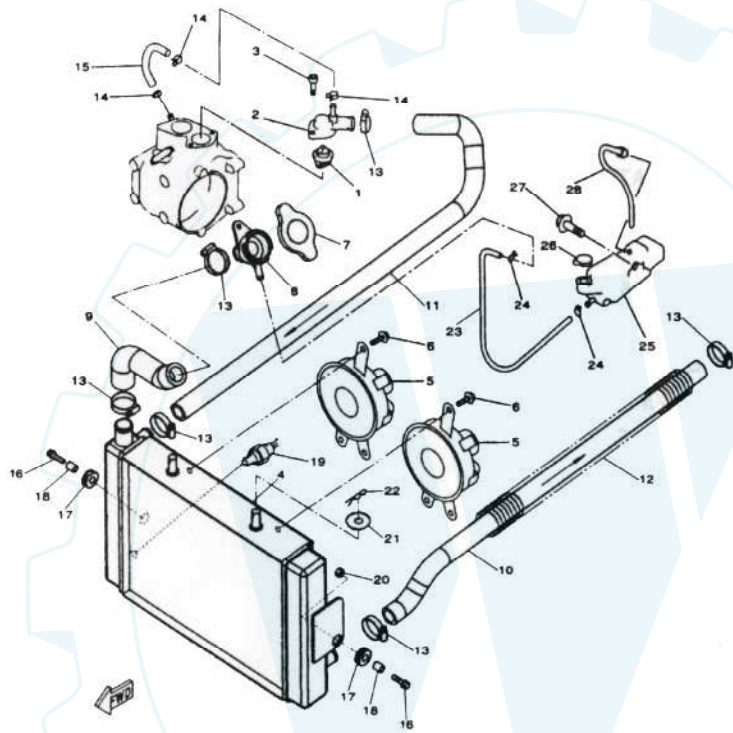
24 RADIATOR



REF.NO.	PART NO.	DESCRIPTION	Q'TY	REMARK
1	22901	THERMOSTAT	1	
2	22902	THERMOSTAT COVER	1	
3	10085	SOCKET HEAD BOLT M6x25	2	
4	22904	RADIATOR ASSY	1	
5	22905	BLOWER ASSY	2	
6	10087	FLANGE BOLT M6x9	6	
7	22907	RADIATOR CAP	1	
8	22908	RADIATOR FILLER NECK	1	
9	22909	RADIATOR FILLER HOSE	1	
10	22910	RETURN HOSE	1	
11	22911	FEED HOSE	1	
12	22912	COMPRESSION SPRING	2	
13	22913	HOSE CLAMP 1	6	
14	22914	HOSE CLAMP 2	2	
15	22915	HOSE 1	1	
16	10110	BOLT FLANGE M6x20	2	
17	22917	RADIATOR SIDE SUPT GROMMET	2	
18	22918	COLLAR	2	
19	22919	THERMOSTAT SWITCH ASSY	1	
20	10004	NUT M6	2	
21	10089	WASHER PLATE 10	2	
22	10094	CLIP 2x20	2	
23	22923	PIPE 1	1	
24	22924	CLIP	2	
25	22925	TANK RECOVERY	1	
26	22926	CAP	1	



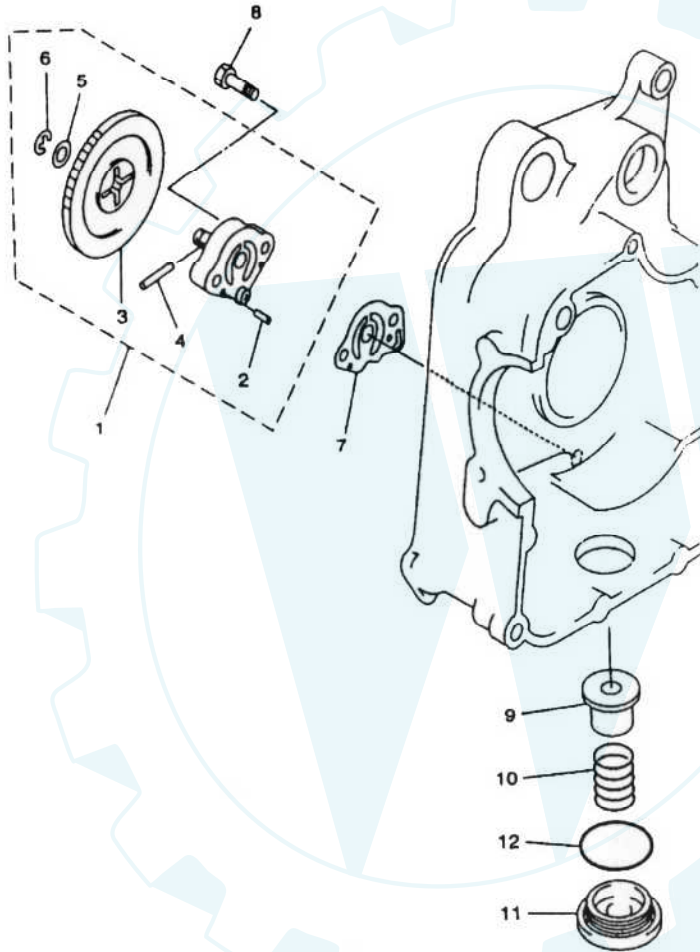
24 RADIATOR



REF.NO.	PART NO.	DESCRIPTION	Q'TY	REMARK
27	10140	BOLT FLANGE M6x12	1	
28	23028	PIPE 2	1	



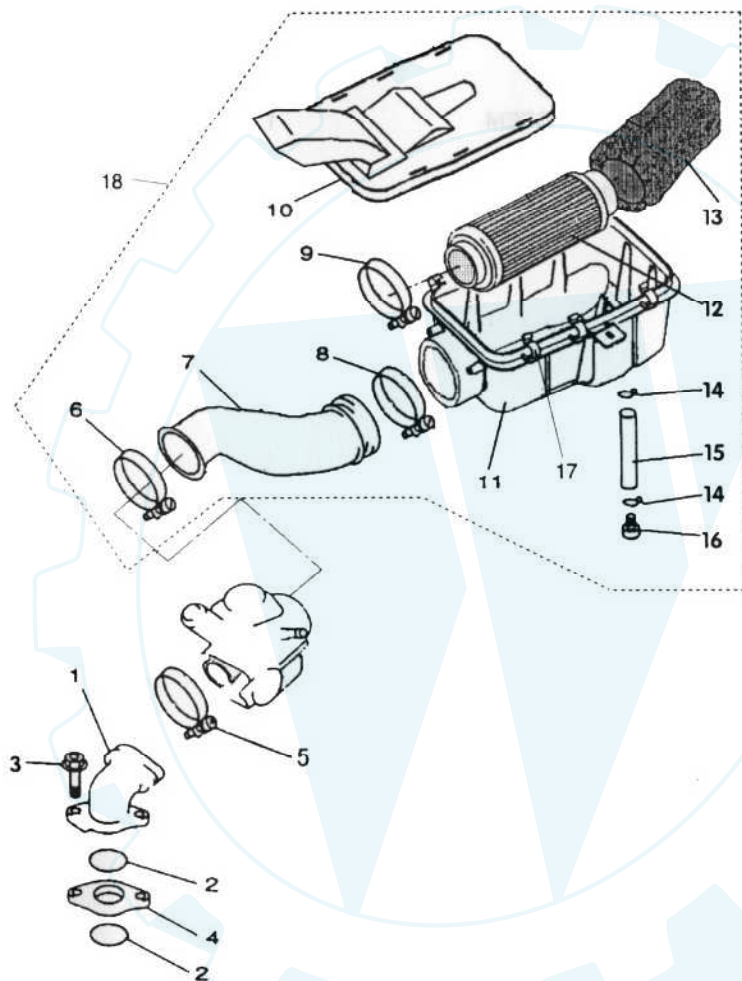
25 OIL PUMP



REF.NO.	PART NO.	DESCRIPTION	Q'TY	REMARK
1	23101	OIL PUMP ASSY	1	
2	10096	DOWEL PIN 3x12	2	
3	23103	GEAR PUMP DRIVEN	1	
4	10097	DOWEL PIN C3x22	1	
5	23105	WASHER PLATE	1	
6	10130	CIRCLIP	1	
7	23107	GASKET	1	
8	10098	SCREW M6x25	2	
9	23109	OIL STRAINER	1	
10	23110	COMPRESSION SPRING	1	
11	23111	DRAIN PLUG	1	
12	23112	O-RING 36x3.5	1	



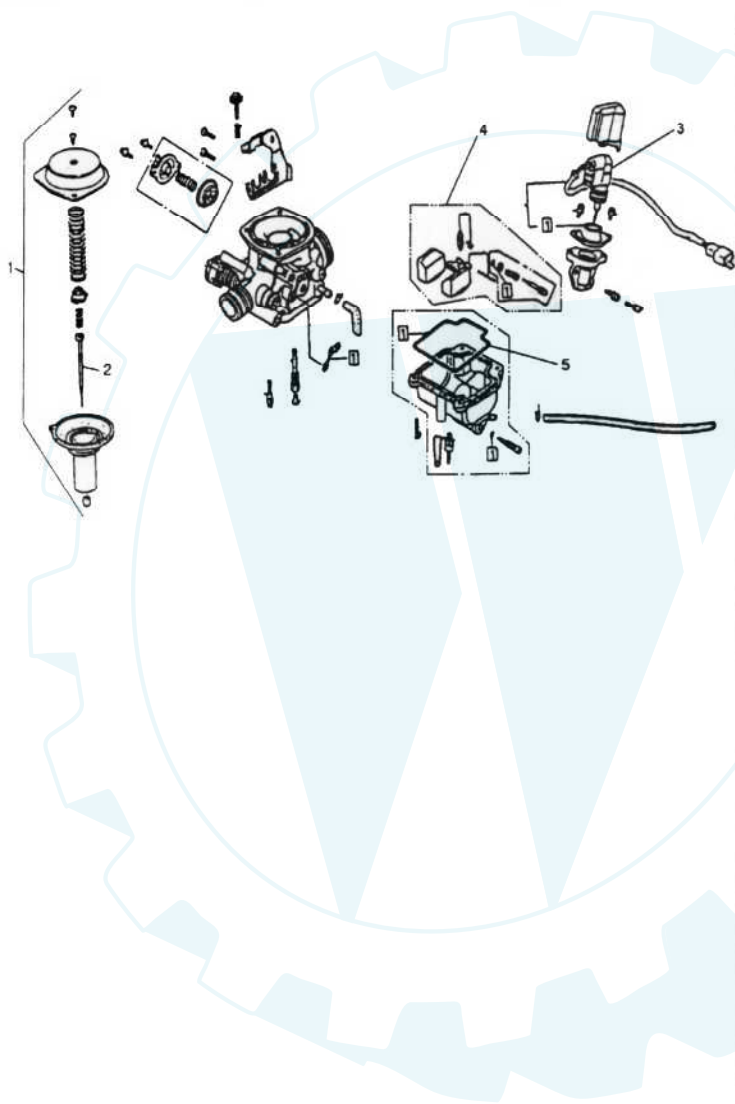
26 AIR CLEANER



REF.NO.	PART NO.	DESCRIPTION	Q'TY	REMARK
1	23201	JOINT CARBURETOR 1	1	
2	23202	O-RING 35x2	2	
3	10085	BOLT M6x25	2	
4	23204	JOINT	1	
5	23205	HOSE CLAMP D	1	
6	23206	HOSE CLAMP C	1	
7	23207	AIR CLEANER JOINT	1	
8	23208	HOSE CLAMP B	1	
9	23209	HOSE CLAMP A	1	
10	23210	CLEANER CASE CAP 1	1	
11	23211	AIR CLEANER CASE 1	1	
12	23212	ELEMENT COMP AIR CLEANER	1	
13	23213	FILTER COVER	1	
14	23214	CLIP	2	
15	23215	HOSE	1	
16	23216	PLUG	1	
17	23217	AIR CLEANER ASSY	1	



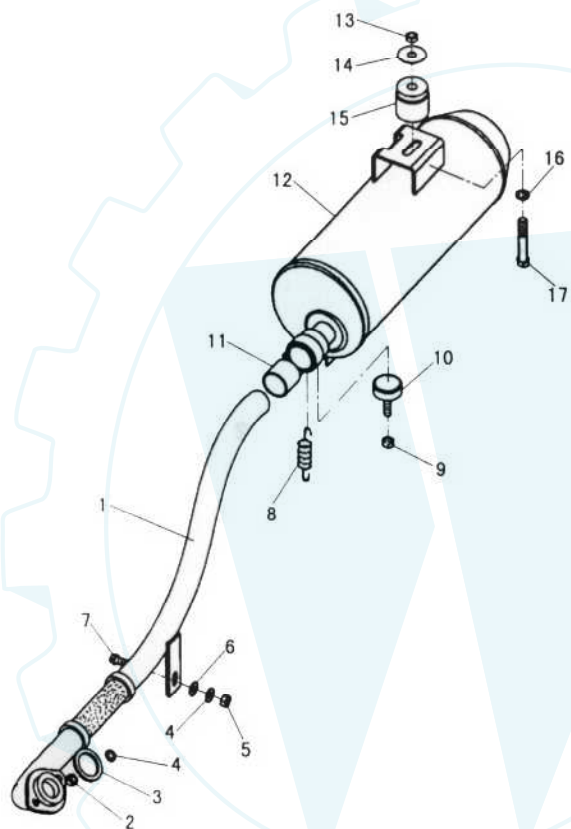
27 CARBURETOR



REF.NO.	PART NO.	DESCRIPTION	Q'TY	REMARK
1	23301	CARBURETOR ASSY	1	
2	23302	JET NEEDLE SET	1	
3	23303	AUTO CHOKE ASSEM	1	
4	23304	FLOAT ASSY	1	
5	23305	BOWL GASKET	1	



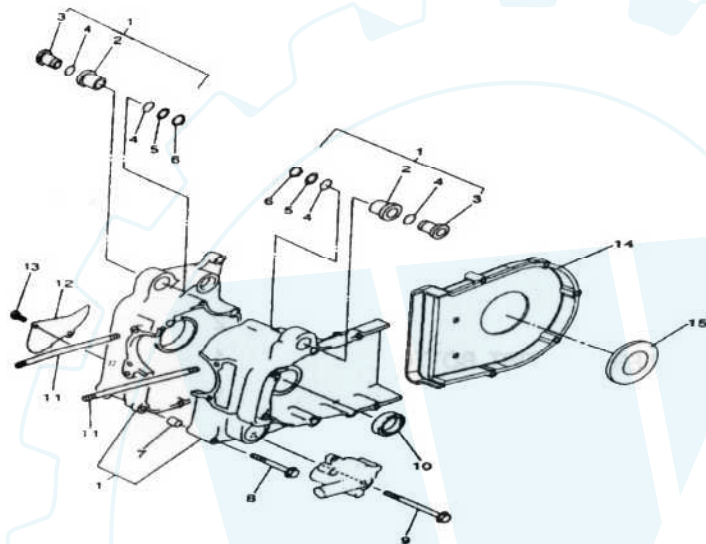
28 EXHAUST



REF.NO.	PART NO.	DESCRIPTION	Q'TY	REMARK
1	23401	EXHAUST PIPE	1	
2	10099	SELF-LOCKING NUT M8	2	
3	23403	EXHAUST PIPE GASKET	1	
4	10114	WASHER 8	3	
5	10079	NUT M8	1	
6	10116	WASHER PLATE 8	1	
7	10081	BOLT FLANGE M8x20	1	
8	23408	SPRING	1	
9	10099	NUT M8	2	
10	23410	MUFFLER SUPPORT BOTTOM	1	
11	23411	MUFFLER JOINT	1	
12	23412	MUFFLER	1	
13	10015	NUT M10x1.25	1	
14	10117	WASHER PLATE 10	1	
15	23415	MUFFLER SUPPORT	1	
16	10117	WASHER PLATE 10	1	
17	11139	BOLT FLANGE M10x1.25x62	1	



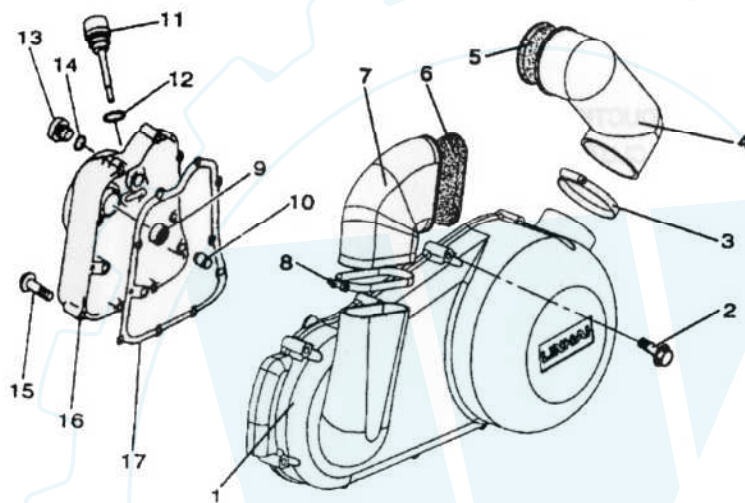
29 CRANKCASE



REF.NO.	PART NO.	DESCRIPTION	Q'TY	REMARK
1	23501	CRANKCASE ASSY	1	
2	23502	HOLDER	2	
3	23503	COLLAR	2	
4	23504	O-RING	4	
5	23505	WASHER PLATE 16	2	
6	10121	CIRCLIP 16	2	
7	23507	DOWEL PIN 10x14	2	
8	23508	FLANGE BOLT M6x70	4	
9	23509	FLANGE BOLT M6x100	5	
10	23510	OIL SEAL 30x45x5	1	
11	23511	STUD BOLT M8x245	4	
12	23512	COVER CRANKCASE RIGHT	1	
13	10036	SOCKET HEAD BOLT M6x14	2	
14	23514	REAR INSIDE COVER	1	
15	23515	SEALING COVER	1	



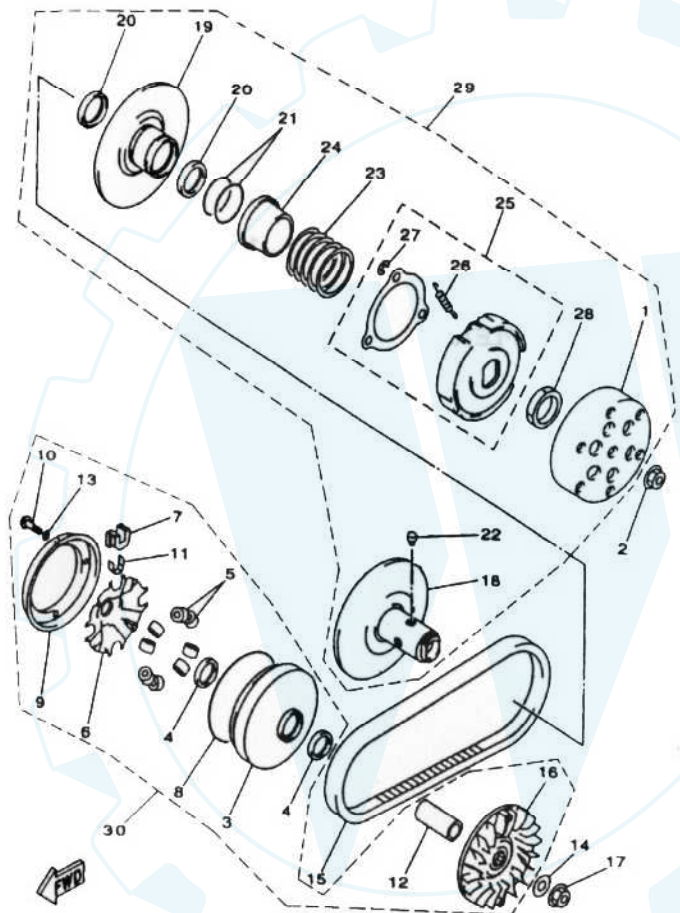
30 LEFT&RIGHT COVER



REF.NO.	PART NO.	DESCRIPTION	Q'TY	REMARK
1	23601	COVER CRANKCASE LEFT	1	
2	23602	FLANGE BOLT M6x52	5	
3	23603	HOSE CLAMP B	1	
4	23604	JOINT A	1	
5	23605	AIR STRAINER B	1	
6	23606	AIR STRAINER A	1	
7	23607	JOINT B	1	
8	23608	HOSE CLAMP A	1	
9	23609	OIL SEAL	1	
10	23610	DOWEL PIN 10x14	4	
11	23611	OIL PLUG	1	
12	10122	O-RING 18x2.65	1	
13	23613	OIL PLUG	1	
14	10123	O-RING 14x2.65	1	
15	23605	FLANGE BOLT M6x40	15	
16	23616	CAP COVER	1	
17	23617	CRANKCASE COVER GASKET RIGHT	1	



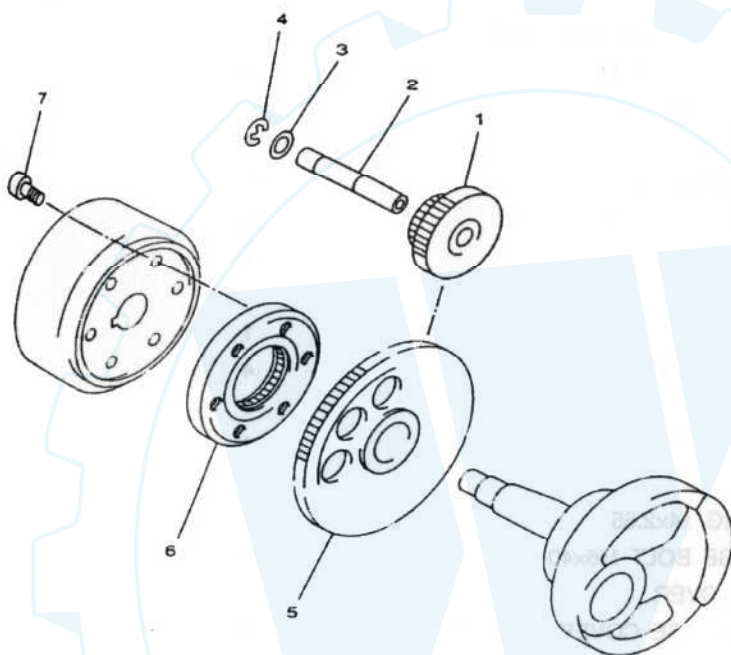
32 CLUTCH



REF.NO.	PART NO.	DESCRIPTION	Q'TY	REMARK
1	23801	CLUTCH HOUSING COMP.	1	
2	23802	NUT M14x1	1	
3	23803	PRIMARY SLIDING SHEAVE COMP	1	
4	23804	OIL SEAL	2	
5	23805	WEIGHT	8	
6	23806	CAM	1	
7	23807	SLIDER	4	
8	23808	O-RING 118x2.5	1	
9	23809	STOPPER	1	
10	10132	PAN HEAD SCREW M4x12	4	
11	23811	SPACER 1	4	
12	23812	COLLAR	1	
13	23813	WASHER PLATE 4	4	
14	23814	WASHER PLATE 14	1	
15	23815	V-BELT	1	
16	23816	SHEAVE PRIMARY FIXED	1	
17	23817	NUT M14x1	1	
18	23818	SECONDARY FIXED SHEAVE COMP.	1	
19	23819	SECONDARY SLIDING SHEAVE	1	
20	23820	OIL SEAL	2	
21	23821	O-RING 45x1.8	2	
22	23822	PIN GUIDE	4	



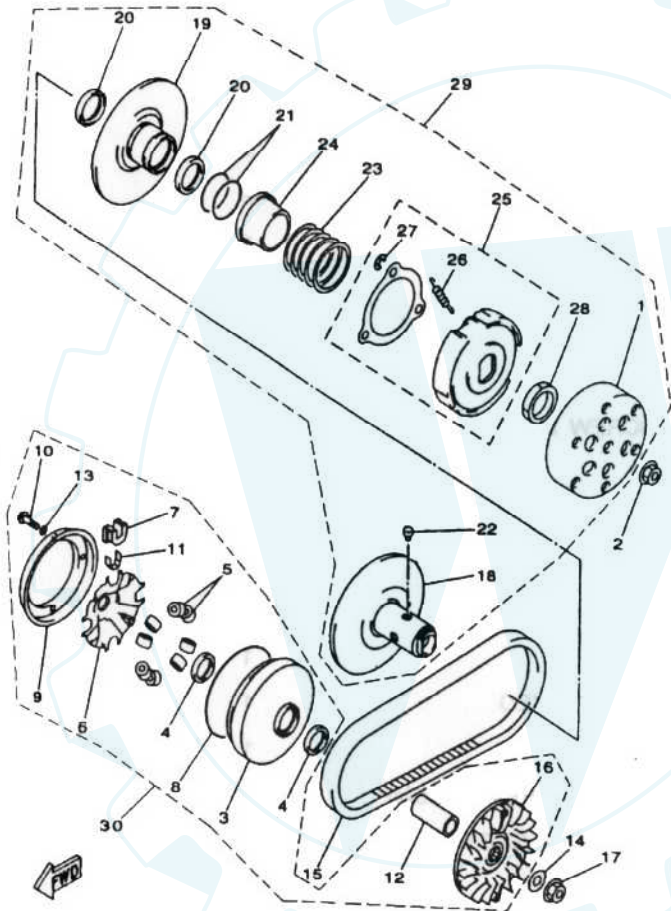
31 STARTER



REF.NO.	PART NO.	DESCRIPTION	Q'TY	REMARK
1	23701	GEAR IDLER	1	
2	23702	SHAFT	1	
3	23703	WASHER 12	1	
4	10129	CIRCLIP 12	1	
5	23705	GEAR REDUCTION	1	
6	23706	STARTER CLUTCH	1	
7	10131	SOCKET HEAD BOLT M8x16	3	



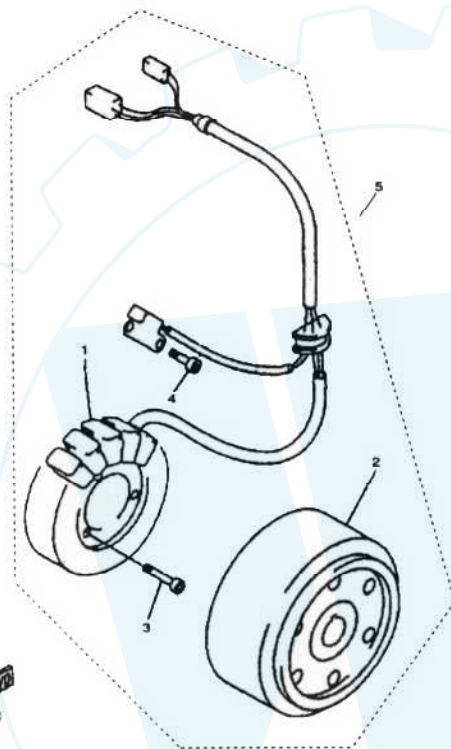
32 CLUTCH



REF.NO.	PART NO.	DESCRIPTION	Q'TY	REMARK
23	23923	COMPRESSION SPRING	1	
24	23924	SEAT SECONDARY SPRING	1	
25	23925	CLUTCH CARRIER ASSY	1	
26	23926	CLUTCH WEIGHT SPRING 1	3	
27	10133	CIRCLIP 8	3	
28	23928	NUT M36x1.5	1	
29	23929	DRIVEN ASSY COMPLETE	1	
30	23930	DRIVE ASSY COMPLETE	1	



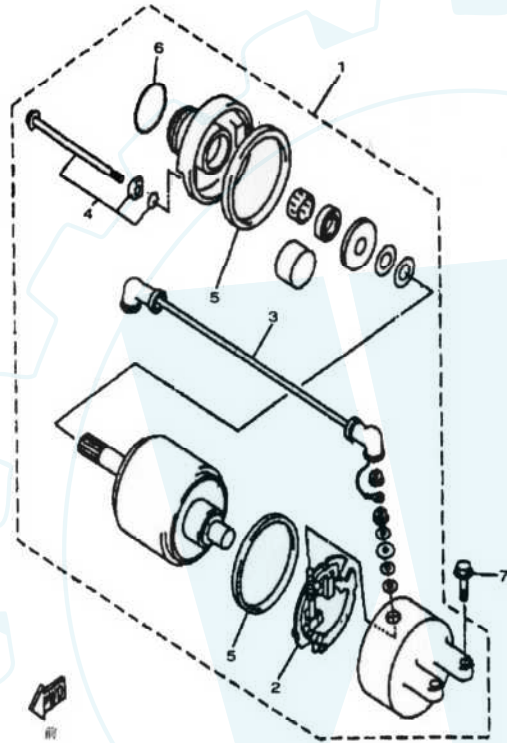
33 GENERATOR



REF.NO.	PART NO.	DESCRIPTION	Q'TY	REMARK
1	24001	STATOR ASSY	1	
2	24002	ROTOR ASSY	1	
3	10134	SOCKET HEAD BOLT M5x25	3	
4	10135	SOCKET HEAD BOLT M5x12	2	
5	24005	GENERATOR ASSY	1	



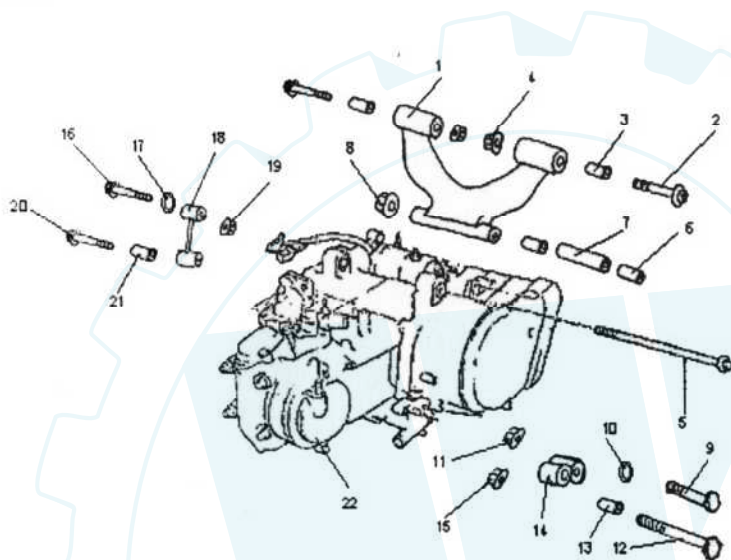
34 STARTING MOTOR



REF.NO.	PART NO.	DESCRIPTION	Q'TY	REMARK
1	24101	STARTING MOTOR ASSY	1	
2	24102	BRUSH HOLD ASSY	1	
3	24103	CORD, STARTER MOTOR	1	
4	24104	BOLT	2	
5	24105	GASKET	2	
6	24106	O-RING 24.5x3	1	
7	24107	FLANGE BOLT M6x25	2	



35 ENGINE



REF.NO.	PART NO.	DESCRIPTION	Q'TY	REMARK
1	24201	FRONT ENGINE MOUNT BRACKET	1	
2	24202	ENGINE BRACKET BOLT	2	
3	24203	BUSHING ENGING BRACKET 1	2	
4	10136	NUT M12x1.25	2	
5	24205	ENGINE MOUNTING BOLT	1	
6	24206	BUSHING ENGING BRACKET 2	1	
7	24207	SPACER ENGINE BRACKET	1	
8	10015	NUT M10x1.25	1	
9	10016	BOLT M10x1.25x55	1	
10	24210	WASHER	1	
11	10015	NUT M10x1.25	1	
12	10137	BOLT M8x120	1	
13	24213	LEFT SPACER	1	
14	24214	STAY ENGINE LEFT	1	
15	10079	NUT M8	1	
16	10138	BOLT M10x1.25x68	1	
17	24217	WASHER	1	
18	24218	STAY ENGINE RIGHT	1	
19	10015	NUT M10x1.25	1	
20	10139	BOLT M8x65	1	
21	24221	RIGHT SPACER	1	
22	24222	ENGINE ASSY	1	